


# SCOTSMAN

AIR, WATER, & REMOTE COOLED MODULAR CONTOUR CUBERS

## CME1356

VOLUME PRODUCTION • 24 HOUR



 Certified & rated in accordance with ARI standard 810-95	Air-Cooled		Water-Cooled		Remote	
	70°/50° lbs./kg.	ARI 90°/70° lbs./kg.	70°/50° lbs./kg.	ARI 90°/70° lbs./kg.	70°/50° lbs./kg.	ARI 90°/70° lbs./kg.
	CME1356-32C	1400/635	1145/519	1400/635	1275/578	1400/635
CME1356-3C	1400/635	1145/519	1400/635	1275/578	1400/635	1260/578

### Value the Difference of CM<sup>3</sup> Ice Machines:

- CM<sup>3</sup> series offers the lowest lifetime operating costs based on lower water and electrical usage. Combine that with a competitive purchase price and the best warranty in the industry and you have the lowest lifetime ownership cost. Period.
- AutoIQ™ Control System monitors and controls the ice machines' functions to ensure consistent ice production and reduce operating costs.
- CM<sup>3</sup> Evaporator is a hot tin dipped, molecularly bonded plate that has been field tested and proven 99.4% reliable over 5 years.
- Rust-free Polyethylene Base and Food Zone is insulated with 1-1/2" of foam which keeps water and food zone cool to reduce operating costs and is backed by a Lifetime Rust-Free Warranty.
- Contemporary styling and stainless steel finish make the CM<sup>3</sup> a perfect addition to any operation.

### WARRANTY *See your dealer for complete warranty details.*

- Limited Lifetime Rust Free Warranty on Food Zone.
- 3 years parts and labor on all components.
- 5 years parts and labor on the CME evaporator.
- 5 years parts on the compressor and condenser.

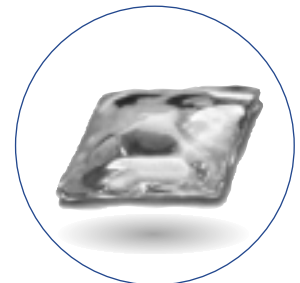
### BIN OPTIONS:




Bin: BH900



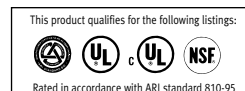
Bin: BH1666



APPROX. CUBE SIZE:  
1<sup>3</sup>/<sub>8</sub>" x 1<sup>3</sup>/<sub>8</sub>" x 5/<sub>8</sub>" THICK

SCOTSMAN MODULAR BINS			 Certified & rated in accordance with ARI standard 820-95		
Model Number	Dimensions W"xD"xH"	ARI Bin Capacity	Application Capacity	Finish	Ship Weight lbs./kg.
BH900S-C	48.2 x 33.75 x 44	740 LBS.	940 LBS.	SS	185/84
BH1366S	56 x 40 x 53	1030 LBS.	1320 LBS.	SS	355/161
BH1666S	60 x 40 x 60	1250 LBS.	1600 LBS.	SS	410/186

(SS) Stainless Steel with Polyethylene liner.

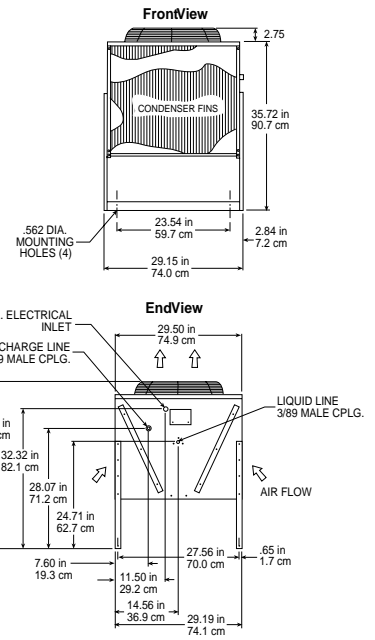
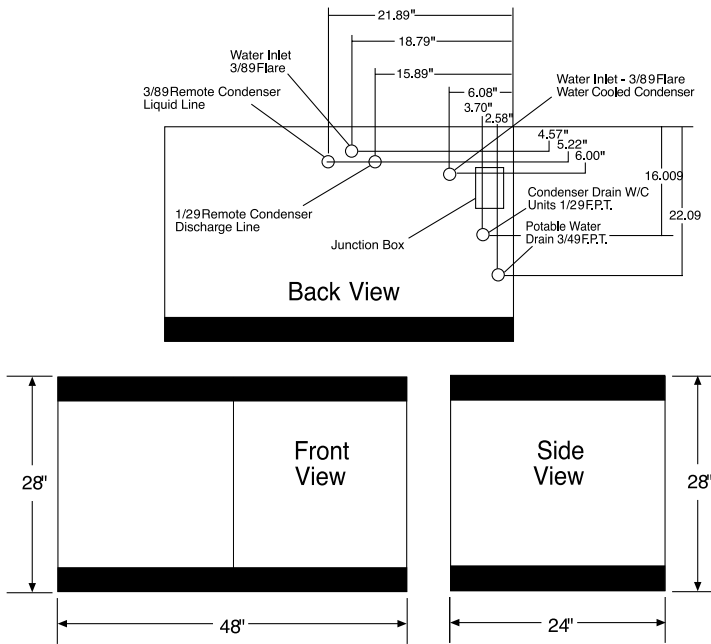


**Scotsman**<sup>®</sup>  
A WELBILT<sup>®</sup> COMPANY



# Ice Machine Specifications

## ERC411-32A



INSTALLATION NOTE: Allow 6" minimum space at back and sides for ventilation and utility connections.

All models: Dimensions: W x D x H Unit: 48" x 24" x 28" Shipping Carton: 51" x 27" x 31"

Model Number	Condenser Unit	Basic Electrical Volts/Hz/Phase	Max. Fuse Size or HACR Circuit Breaker	Comp. HP	Circuit Wires	Min. Circuit Ampacity	BTU's per hour	Shipping Weight lbs./kg.	Power Consumption KWH/100 lbs. 90°F/70° F	Water Usage Gallons/100 lbs.	
										Potable 90°F/70° F	Condenser 90°F/70° F
CME1356AS-32C	AIR	208-230/60/1	30	3.5	2	26.7	21,000	350/159	6.1	16.0	-
CME1356WS-32C	WATER	208-230/60/1	30	3.5	2	23.9	21,000	350/159	4.6	16.0	147.0
CME1356RS-32C	REMOTE	208-230/60/1	30	3.5	2	24.9	21,000	350/159	5.5	16.0	-
CME1356AS-3C	AIR	208-230/60/3	20	3.5	3	17.8	21,000	350/159	6.0	16.0	-
CME1356WS-3C	WATER	208-230/60/3	20	3.5	3	14.9	21,000	350/159	4.6	16.0	147.0
CME1356RS-3C	REMOTE	208-230/60/3	20	3.5	3	15.9	21,000	350/159	5.5	16.0	-

All units with Stainless Steel finish.  
Refrigerant - R404A.  
OPTIONS: Stacking Kit: KSCME6-LG

### REMOTE CONDENSER

Dimensions: W x D x H : 29.5" x 29.15" x 38.47"

Model Number	For Use With	Cond. Unit	Finish Basic	Electrical Volts/Hz/Phase	No. of Wires	Min. Circuit Ampacity	Max Fuse Size or HACR Circuit Braker
ERC411-32A	(1) CME1356R	Air	Galvanized	208-230/60/1	2	1.25	15

**PRE-CHARGED REFRIGERANT TUBE KITS:** 25-Foot, RTE25 • 40-Foot, RTE40 • 75-Foot, RTE75 R-404A Refrigerant RCKCKME6-Remote Condensing Kit for Connecting CME1356 models to non-Scotsman remote units or stacking kit.

Scotsman's ice machines are not designed for outdoor installations. Scotsman remote condensers are designed for outdoor installations.

Machine requires voltage indicated on rating name plate. Failures caused by improper voltage are not considered factory defects. Extended periods of operation at temperatures exceeding limitations constitutes misuse under the terms of Scotsman Manufacturer's Limited Warranty, resulting in a loss of warranty coverage. Specifications and design are subject to change without notice.

Consult Your Local SCOTSMAN Representative At:

### IMPORTANT OPERATING REQUIREMENTS:

	Minimum	Maximum
Air Temperatures	50°F (10°C)	100°F (37.7°C)
Water Temperatures	40°F (4.4°C)	100°F (37.7°C)
Remote Cond. Temps	-20°F (-28.9°C)	120°F (48.9°C)
Water Pressures	20 PSIG	120 PSIG
Electrical Voltage	-5%	+10%

**YOU'LL VALUE THE DIFFERENCE™**

775 Corporate Woods Parkway • Vernon Hills, IL 60061 • 1-800-SCOTSMAN • (847) 913-9844  
Visit our website at: [www.scotsman-ice.com](http://www.scotsman-ice.com) • E-mail: [customer.service@scotsman-ice.com](mailto:customer.service@scotsman-ice.com)

**Scotsman**<sup>®</sup>  
A WELBILT<sup>®</sup> COMPANY