

SCOTSMAN

MODULAR AIR, WATER, REMOTE COOLED FLAKE ICE MACHINE

50 HZ

FME1204

VOLUME PRODUCTION • 24 HOUR



Based on Air/Water Temperatures	Air-Cooled		Water-Cooled		Remote	
	70°/50° lbs./kg.	90°/70° lbs./kg.	70°/50° lbs./kg.	90°/70° lbs./kg.	70°/50° lbs./kg.	90°/70° lbs./kg.
FME1204	1053/478	783/355	1076/488	909/412	882/400	801/363

SCOTSMAN'S NEW FLAKED ICE MACHINES with AutoSentry™

- AutoSentry™ Monitoring System constantly checks workload on gearbox shutting down system before a problem develops preventing costly repairs.
- Electronical conductivity water sensor eliminates low or no water failures and cannot be affected by adverse water conditions.
- Plastic drain pan with larger outlet provides greater ability to quickly channel water away preventing particulate build-up and rust.
- Rust and restriction free drain system features one-piece plastic drain tubes with larger ID for obstruction-free water flow.
- Durable, high grade stainless steel construction with massive, self-aligning spherical roller bearings; patented double-flight auger that evenly distributes the load; and heavy duty direct drive gearbox for high reliability and long life.

WARRANTY See your dealer for complete warranty details.

- Parts and labor on all components.

BIN OPTIONS:



BIN: HTB350



BIN: BH550



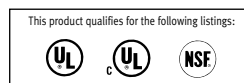
BIN: BH800

SCOTSMAN MODULAR BINS					
Model Number	Dimensions W"xD"xH"	ARI Bin Capacity	Application Capacity	Finish	Ship Weight lbs./kg.
HTB250	30 x 31.5 x 22.5	190	250	HTB	80/36
HTB350	30 x 31.5 x 29.5	250	350	HTB	90/41
HTB555	30 x 34.5 x 44.5	420	535	HTB	110/50
BH550S-C	30 x 31.5 x 44	410	520	SS	140/64
BH800S-C*	42 x 31.5 x 44	580	740	SS	165/75
BH900S-C*	48.2 x 33.75 x 44	740	940	SS	185/84
BH1366S**	56 x 40 x 54	1030	1320	SS	380/172
BH1666S**	60 x 40 x 60	1250	1600	SS	410/186

Please add 6" to Height for Legs

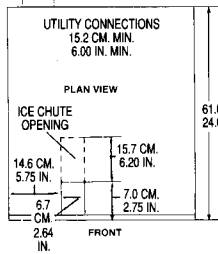
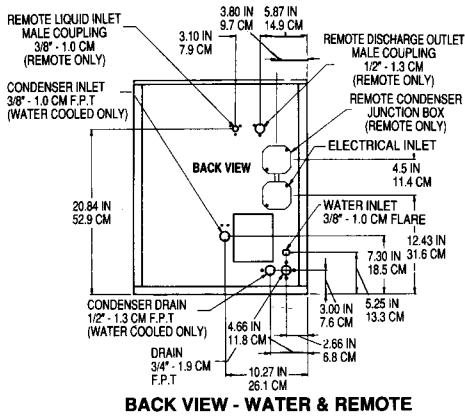
(HTB) Linear Low Density Polyethylene—Grey color. (SS) Stainless Steel with Polyethylene liner.

*See Price Schedule for Appropriate Bin Top
**Accepts two machines side by side

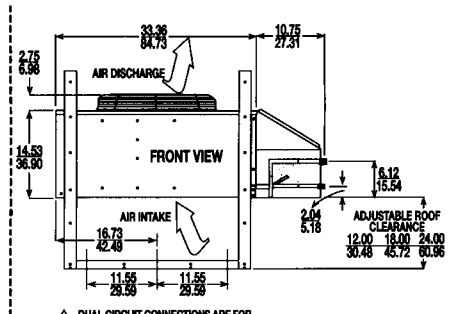
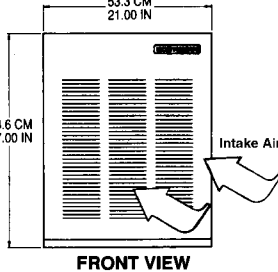
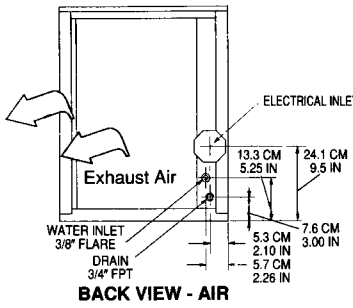


Scotsman
A WELBILT® COMPANY

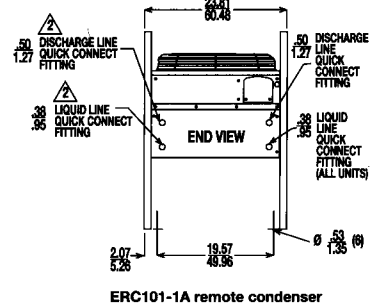
Ice Machine Specifications



INSTALLATION NOTE:
Allow 6" minimum space
at back for ventilation
and utility connections.



⚠️ DUAL CIRCUIT CONNECTIONS ARE FOR
ERC302-32A AND ERC402-32A ONLY



ERC101-1A remote condenser

All models: Dimensions: W x D x H Unit: 21" x 24" x 27" Shipping Carton: 24 1/4" x 27 1/2" x 32"

Model Number	Condenser Unit	Basic Electrical Volts/Hz/Phase	Max. Fuse Size or HACR Circuit Breaker	Comp. HP	Circuit Wires	Min. Circuit Ampacity	Shipping Weight lbs./kg.
FME1204AS-6A	AIR	155/50/1	15	1 1/2	2	11.3	215/98
FME1204WS-6A	WATER	155/50/1	15	1 1/2	2	10.8	210/95
FME1204RS-6A	REMOTE	155/50/1	20	1 1/2	2	14.1	230/104

All units with Stainless Steel finish.
Refrigerant: R-404A.

REMOTE CONDENSER—Comes with adjustable legs
Dimensions: W x D x H: 45" x 22.12" x 29.25"

Model Number	For Use With	Cond. Unit	Finish Basic	Electrical Volts/Hz/Phase	No. of Wires	Min. Circuit Ampacity	Max Fuse Size or HACR Circuit Breaker
ERC151-32A	(1) FME1204	Air	Galvanized	208-230/60/1	2	2.6	15
ERC302-32A*	(2) FME1204	Air	Galvanized	208-230/60/1	2	2.6	15

PRE-CHARGED REFRIGERANT TUBE KITS: 25-Foot, RTE25 • 40-Foot, RTE40 • 75-Foot, RTE75, Refrigerant: R-404A.

*KCMR-230—Fan Relay Kit: Required to connect two FME1204's to one 302-32A

Scotsman's ice machines are not designed for outdoor installations. Scotsman remote condensers are designed for outdoor installations.

Machine requires voltage indicated on rating name plate. Failures caused by improper voltage are not considered factory defects. Extended periods of operation at temperatures exceeding limitations constitutes misuse under the terms of Scotsman Manufacturer's Limited Warranty, resulting in a loss of warranty coverage. Specifications and design are subject to change without notice.

Consult Your Local SCOTSMAN Representative At:

IMPORTANT OPERATING REQUIREMENTS:

	Minimum	Maximum
Air Temperatures	50°F (10°C)	100°F (37.7°C)
Water Temperatures	40°F (4.4°C)	100°F (37.7°C)
Remote Cond. Temps	-20°F (-28.9°C)	120°F (48.9°C)
Water Pressures	20 PSIG	120 PSIG
Electrical Voltage	-5%	+10%

YOU'LL VALUE THE DIFFERENCE.™

775 Corporate Woods Parkway • Vernon Hills, IL 60061 • 1-800-SCOTSMAN • (847) 913-9844
Visit our website at: www.scotsman-ice.com • E-mail: customer.service@scotsman-ice.com

Scotsman®
A WELBILT™ COMPANY